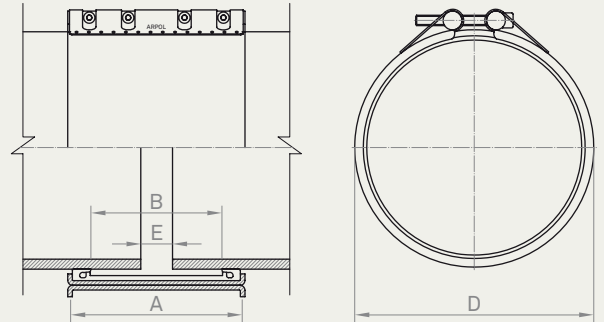


NOMINAL WIDTH 200 - 300

Series H

	IHFZ - AHFZ	IHGZ - AHGZ	IHFV - AHFV	IHW - AHGW
	mm	mm	mm	mm
A	204	206	299	301
B	142	142	240	240
D	OD + 52	OD + 56	OD + 52	OD + 56
E ¹	15	15	15	15
E ²	60	60	80	80



	Quality W1		Quality W2		Quality W4		Quality W5	
	AISI	DIN	AISI	DIN	AISI	DIN	AISI	DIN
Casing	1024	1.0570	304 L	1.4307	304 L	1.4307	316 L	1.4404
Bolts	1035 / 304	1.0501 / 1.4301	1035	1.0501	304	1.4301	316	1.4401
Bars	1045 / 304 L	1.0503 / 1.4307	1045	1.0503	304 L	1.4307	316 L	1.4404
Inner Steel Bridge (Lock)	304 L	1.4307	304 L	1.4307	304 L	1.4307	316 L	1.4404

Sealing gasket: EPDM

DN	Quality W2, W4, W5						Quality W1					
	IHFZ - IHFW			IHGZ - IHGW			AHFZ - AHFW			AHGZ - AHGW		
mm	PS bar	Diam	Tor. Nm	PS bar	Diam	Tor. Nm	PS bar	Diam	Tor. Nm	PS bar	Diam	Tor. Nm
600	27	M 20	70	32	M 20	80	32	M 20	70	40	M 20	80
650	25	M 20	80	32	M 20	90	29	M 20	80	37	M 20	90
700	24	M 20	80	28	M 20	90	28	M 20	80	35	M 20	90
750	22	M 20	80	27	M 20	100	26	M 20	80	32	M 20	100
800	20	M 20	90	25	M 20	110	23	M 20	90	30	M 20	110
850	19	M 20	90	24	M 20	110	22	M 20	90	29	M 20	110
900	19	M 20	100	22	M 20	130	22	M 20	100	26	M 20	130
950	17	M 20	100	22	M 20	130	21	M 20	100	25	M 20	130
1000	16	M 20	110	20	M 20	150	19	M 20	110	25	M 20	150
1100				19	M 20	150	18	M 20	110	22	M 20	150
1200				17	M 20	150	16	M 20	130	21	M 20	150
1300				16	M 20	170				19	M 20	170
1400				14	M 20	200				18	M 20	200
1500				14	M 20	200				16	M 20	200

Nominal diameters serve as guidance of the pressure scale. All measures within the DN range are manufactured.

E¹ Permitted gaps without internal band E² Permitted gaps with internal band Tor. Torque Value PS Working pressure DN Nominal Diameter OD Outside Diameter

OD	Maximum diameter difference	Maximum angular deflection	Maximum misalignment
mm	mm	degrees	mm
600 - 1500	2,0	1,0	2,0

For the correct operation of the coupling, fitting instructions must be respected.

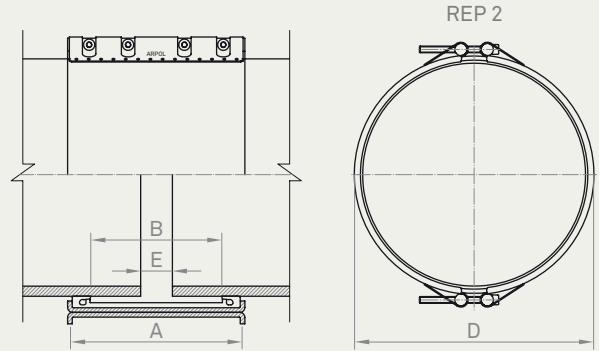
Test pressure = 1.5 x PS

See page 5 (Permitted tolerances)

NOMINAL WIDTH 200 - 300

Series H

	IHFZR - AHFZR	IHGZR - AHGZR	IHFWR - AHFWR	IHGWR - AHGWR
	mm	mm	mm	mm
A	204	206	299	301
B	142	142	240	240
D	OD + 52	OD + 56	OD + 52	OD + 56
E ¹	15	15	15	15
E ²	60	60	80	80



	Quality W1		Quality W2		Quality W4		Quality W5	
	AISI	DIN	AISI	DIN	AISI	DIN	AISI	DIN
Casing	1024	1.0570	304 L	1.4307	304 L	1.4307	316 L	1.4404
Bolts	1035 / 304	1.0501 / 1.4301	1035	1.0501	304	1.4301	316	1.4401
Bars	1045 / 304 L	1.0503 / 1.4307	1045	1.0503	304 L	1.4307	316 L	1.4404
Inner Steel Bridge (Lock)	304 L	1.4307	304 L	1.4307	304 L	1.4307	316 L	1.4404

Sealing gasket: EPDM

DN	Quality W2, W4, W5						Quality W1					
	IHFZR - IHFWR			IHGZR - IHGWR			AHFZR - AHGWR			AHGZR - AHGWR		
mm	PS bar	Diam	Tor. Nm	PS bar	Diam	Tor. Nm	PS bar	Diam	Tor. Nm	PS bar	Diam	Tor. Nm
600	27	M 20	70	32	M 20	80	32	M 20	70	40	M 20	80
650	25	M 20	80	32	M 20	90	29	M 20	80	37	M 20	90
700	24	M 20	80	28	M 20	90	28	M 20	80	35	M 20	90
750	22	M 20	80	27	M 20	100	26	M 20	80	32	M 20	100
800	20	M 20	90	25	M 20	110	23	M 20	90	30	M 20	110
850	19	M 20	90	24	M 20	110	22	M 20	90	29	M 20	110
900	19	M 20	100	22	M 20	130	22	M 20	100	26	M 20	130
950	17	M 20	100	22	M 20	130	21	M 20	100	25	M 20	130
1000	16	M 20	110	20	M 20	150	19	M 20	110	25	M 20	150
1100				19	M 20	150	18	M 20	110	22	M 20	150
1200				17	M 20	150	16	M 20	130	21	M 20	150
1300				16	M 20	170				19	M 20	170
1400				14	M 20	200				18	M 20	200
1500				14	M 20	200				16	M 20	200
1600				12	M 20	220				15	M 20	220
1700				12	M 20	220				14	M 20	220
1800				11	M 20	250				14	M 20	250
1900				11	M 20	250				12	M 20	250
2000				11	M20	250				12	M 20	250

Nominal diameters serve as guidance of the pressure scale. All measures within the DN range up to 4000mm are manufactured.

E¹ Permitted gaps without internal band E² Permitted gaps with internal band PS Working pressure DN Nominal diameter OD Outside diameter Tor. Torque Value

OD	Maximum diameter difference		Maximum angular deflection	Maximum misalignment	Maximum crack width
	2 locks	3 locks			
mm	mm	mm	degrees	mm	mm
600 - 2000	3,0	4,0	1,0	2,0	100 / 190

See page 5 (Permitted tolerances)

For bigger diameters, please consult.

For the correct operation of the coupling, fitting instructions must be respected.

Test pressure = 1.5 x PS